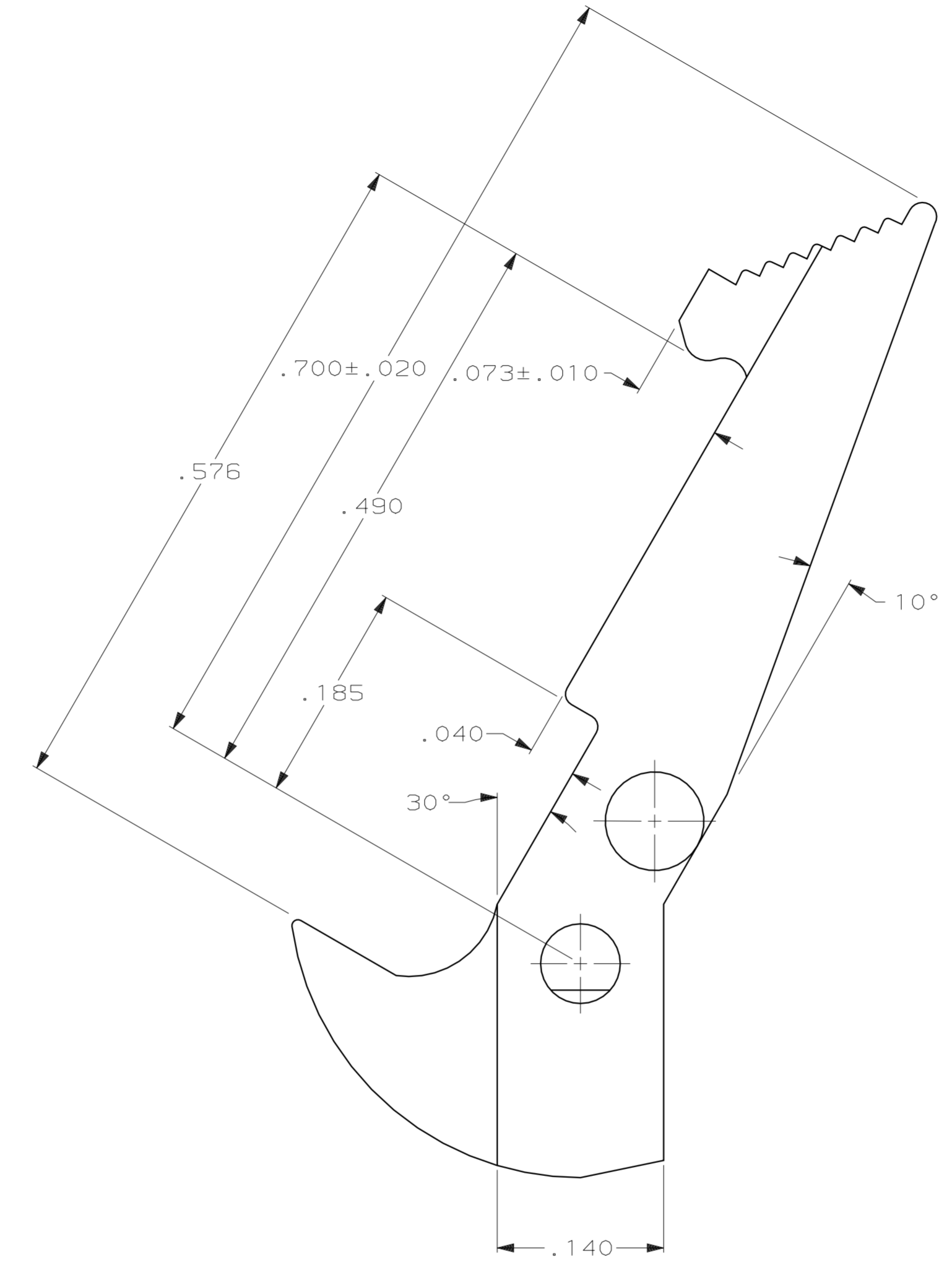
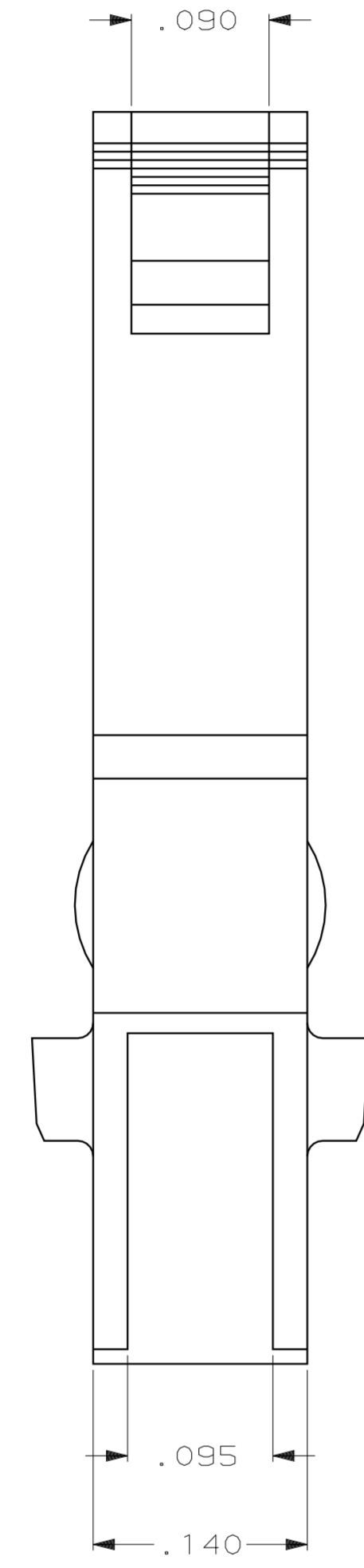


REVISIONS								
LOC	DIST	P	F	ZONE	LTR	DESCRIPTION	DATE	APPD
GP	00					D1 REVISED PER ECO 06-004646	08MAR06	JG



- 1 FLAME RETARDANT PCT, UL94V-0 RATED, COLOR RED.
- 2 FLAME RETARDANT PCT, UL94V-0 RATED, COLOR BLACK.
- 3. TO BE USED WITH AMP-LATCH UNIVERSAL HEADER WHICH MATES WITH AMP-LATCH CONNECTOR WITH STRAIN RELIEF.

2	111338-3
1	111338-1
MATERIAL	PART NO

DO NOT SCALE PRINT. UNLESS SPECIFIED DIMENSIONS IN INCHES. TOLERANCES ON:		DR 2-16-88 L SIPE		AMP INCORPORATED Harrisburg, Pa. 17105	
2 PLC DEC ± -		CHK 2-19-88 S WELDON			
3 PLC DEC ± .005		APPD 2-24-88 M E PEIFER			
ANGLES ± 1°		APPD 2-24-88 D HOFFMAN		NAME	
MATERIAL		PRODUCT SPEC		LATCH, UNIVERSAL HEADER, AMP-LATCH	
SEE TABLE		-		-	
FINISH		APPLICATION SPEC		SIZE	FSCM NO
-		-		D	00779
WEIGHT		-		SCALE	DRAWING NO
-		-		10:1	111338
					SHEET 1 OF 1